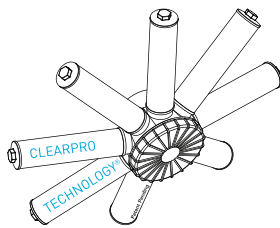




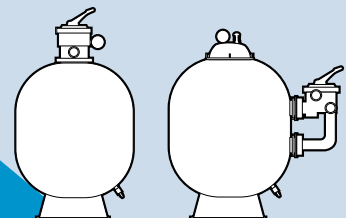
**TRADEGRADE**  
BY PENTAIR

# TRITON<sup>®</sup> NEO

## TOP MOUNT AND SIDE MOUNT



# PENTAIR LAUNCH PACKAGE



**TRITON® NEO**  
TOP MOUNT AND SIDE MOUNT



◆ Top Standard



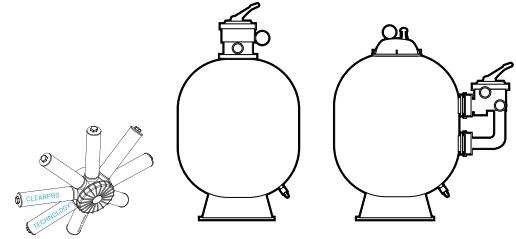
◆ Side Standard  
◆ Top ClearPro



◆ Side ClearPro  
◆ Provalve



Dear customer,  
We are glad to present our brand new Triton Neo, the well known sandfilter, which is part of our Trade Grade program. This new version is now available with a new look and exclusive extra-features.



**APPLICATIONS**

- ◆ Inground pools
- ◆ Residential pools

**FEATURES**

- ◆ One-piece, fiberglass reinforced tank with UV resistant coating
- ◆ A 360° diffuser to keep the sand bed flat for optimum filtration
- ◆ "Swing-away" design for instant access to sand
- ◆ Easy-to-use water drain for simplified service and winterizing
- ◆ All filter fittings are threaded for easy servicing
- ◆ Available with ClearPro technology and provalve

**NEW FEATURES**

- ◆ New manometer in stainless steel casing mounted on the dome
- ◆ 3.5 bars max. operating pressure
- ◆ New metallic blue colour with shiny gloss, UV resistant
- ◆ Reinforced inner packaging

**Available on Triton Neo Side only**

- ◆ Pre-assembled ABS 6-way valve
- ◆ Re-inforced inner pipes & adaptor rings
- ◆ New dome with independant connection for manometer and air bleed
- ◆ New full plastic anti-corrosion airbleed with extra air-tube for clean air relief



**TRITON® NEO**  
TOP MOUNT AND SIDE MOUNT



◆ Top Standard



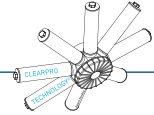
◆ Side Standard  
◆ Top ClearPro



◆ Side ClearPro  
◆ Provalve



TECHNICAL DETAILS



TRITON NEO / TRITON NEO CP				TRITON NEO		TRITON NEO CP	
Diameter (mm)	Surface (m <sup>2</sup> )	Flow (m <sup>3</sup> /h)	Max. Pressure (bars)	Gravel (kg)	Sand (kg)	Gravel (kg)	Sand (kg)
480	0.17	8.5	3.5	25	50	-	75
610	0.29	14	3.5	50	100	-	150
762	0.45	22	3.5	75	200	-	275
914	0.64	32	3.5	100	300	-	400

TECHNICAL PICTURES/DRAWINGS



New manometer



New dome



New full plastic anti-corrosion airbleed with extra air-tube for clean air relief



Pre-assembled ABS 6-way valve



Swing-away design



Re-inforced inner pipes & adaptor rings



ClearPro Technology®

**TRITON® NEO**  
 TOP MOUNT AND SIDE MOUNT


♦ Top Standard


 ♦ Side Standard  
 ♦ Top ClearPro

 ♦ Side ClearPro  
 ♦ Provalve


## COMMERCIAL DETAILS

### PRODUCT AVAILABILITY:

AS OF TODAY: available for order entry and shipments from HERENTALS.

### LOYALTY PROGRAM:

This product is eligible for PIP points. See table below for points reward.

- ♦ Redeeming method: PIP Code (PIP Scanner App).

### PART NUMBER, DESCRIPTION, LIST PRICE, MAP, PIP POINTS:

Scan the PIP code from PIP Scanner App to access Spare Part List and Exploded Views.



Type	Part Number	Description	List Price <sup>(1)</sup> € (excl. VAT)	MAP <sup>(2)</sup> € (w. VAT)	PIP Points + TradeGrade Bonus
Side Standard	<a href="#">F-19S8-NEO</a>	TRITON NEO SIDE 19" W/ 6-WAY VALVE	709	589	(50)+50
	<a href="#">F-24S8-NEO</a>	TRITON NEO SIDE 24"W/ 6-WAY VALVE	834	699	(50)+50
	<a href="#">F-30S8-NEO</a>	TRITON NEO SIDE 30" W/ 6-WAY VALVE	1'232	1029	(50)+50
	<a href="#">KIT-F-36S8-NEO</a>	TRITON NEO SIDE 36" W/ 6-WAY VALVE	1'707	1429	(50)+50
Side ClearPro	<a href="#">F-19S8-NEOCP</a>	TRITON NEO SIDE 19" CLEARPRO W/ 6-WAY VALVE	768	768	(125)+50
	<a href="#">F-24S8-NEOCP</a>	TRITON NEO SIDE 24" CLEARPRO W/ 6-WAY VALVE	904	904	(125)+50
	<a href="#">F-30S8-NEOCP</a>	TRITON NEO SIDE 30" CLEARPRO W/ 6-WAY VALVE	1'338	1119	(125)+50
	<a href="#">KIT-F-36S8-NEOCP</a>	TRITON NEO SIDE 36" CLEARPRO W/ 6-WAY VALVE	1'851	1549	(125)+50
Provalve	<a href="#">F-24S8-NEOCPPRO</a>	TRITON NEO SIDE 24" CLEARPRO W/PRO VALVE	1'797	1499	(125)+50
	<a href="#">F-30S8-NEOCPPRO</a>	TRITON NEO SIDE 30" CLEARPRO W/PRO VALVE	2'167	1819	(125)+50
	<a href="#">F-36S8-NEOCPPRO</a>	TRITON NEO SIDE 36" CLEARPRO W/PRO VALVE	2'649	2219	(125)+50
Top Standard	<a href="#">F-19T6-NEO</a>	TRITON NEO TOP 19" W/ 6-WAY VALVE	499	409	(30)+45
	<a href="#">F-24T6-NEO</a>	TRITON NEO TOP 24" W/ 6-WAY VALVE	598	499	(30)+45
	<a href="#">F-30T8-NEO</a>	TRITON NEO TOP 30" W/ 6-WAY VALVE	890	739	(30)+45
Top ClearPro	<a href="#">F-19T6-NEOCP</a>	TRITON NEO TOP 19" CLEARPRO W/ 6-WAY VALVE	539	449	(50)+50
	<a href="#">F-24T6-NEOCP</a>	TRITON NEO TOP 24" CLEARPRO W/ 6-WAY VALVE	648	539	(50)+50
	<a href="#">F-30T8-NEOCP</a>	TRITON NEO TOP 30" CLEARPRO W/ 6-WAY VALVE	962	799	(50)+50

<sup>(1)</sup>List price or MSRP is the Manufacturer Suggested Retail Price, excluding VAT, distributor discount applies off this price.

<sup>(2)</sup>MAP: Minimum Advertised Price, including VAT.

**TRITON® NEO**  
 TOP MOUNT AND SIDE MOUNT


♦ Top Standard


 ♦ Side Standard  
 ♦ Top ClearPro

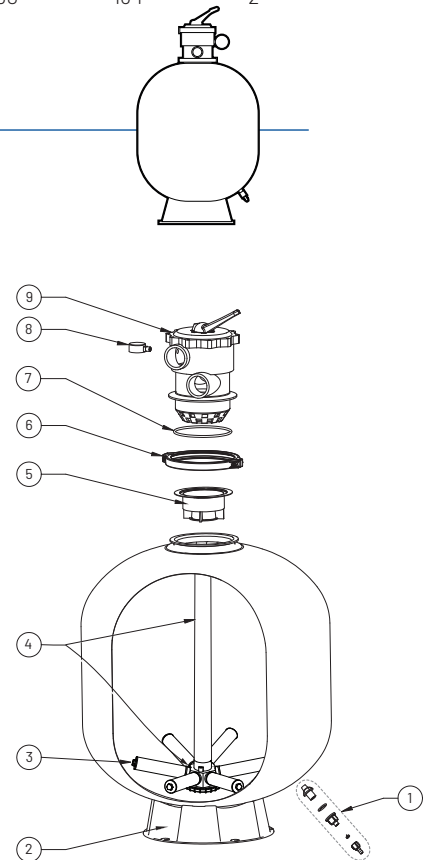
 ♦ Side ClearPro  
 ♦ Provalve

**SHIPPING INFORMATION**

Model	PRODUCT				PALLET				
	Length (cm)	Width (cm)	Height (cm)	Weight (kg)	Length (cm)	Width (cm)	Height (cm)	Pcs/Pallet	
Side 19"	F-19S8-...	49	49	88	13.4	98	98	189	8
Side 24"	F-24S8-...	63	63	102	18.4	126	126	218	8
Side 30"	F-30S8-...	78	78	120	29.8	156	80	134	2
Side 36"	KIT-F-36S8-...	94	94	106	35.5	95	95	220	2
Top 19"	F-19T6-...	49	49	88	11	98	98	189	8
Top 24"	F-24T6-...	63	63	102	16.3	126	126	218	8
Top 30"	F-30T8-...	78	78	120	28.3	156	80	134	2

**REPLACEMENT PARTS TOP MOUNT**

No	Part No.	Description	Part No. Includes	List prices <sup>(1)</sup> € HT
1	R154696	Drain Kit High Flow	1	15,10
2	RBASEUNI1	Base (19" & 24")	1	18,42
	RBASEUNI2	Base (30")	1	37,77
3	R301904	Lateral 19"	1*	6,51
	R302404	Lateral 24"	1*	6,51
	R303004	Lateral 30"	1*	7,56
	R301904CP	Lateral Clear Pro 19"	1*	28,61
	R302404CP	Lateral Clear Pro 24"	1*	36,63
	R303004CP	Lateral Clear Pro 30"	1*	50,35
4	G-SPS-19TAG	Stand Pipe set 19" (incl. Hub)	1	48,06
	G-SPS-24TAG	Stand Pipe set 24" (incl. Hub)	1	53,79
	G-SPS-30TAG	Stand Pipe set 30" (incl. Hub)	1	67,52
	G-SPS-19TACP	Stand Pipe set 19" Clear Pro (incl. Hub)	1	81,26
	G-SPS-24TACP	Stand Pipe set 24" Clear Pro (incl. Hub)	1	88,13
	G-SPS-30TACP	Stand Pipe set 30" Clear Pro (incl. Hub)	1	67,52
5	R155051	Sand Guide	1	7,10
6	R272025	Clamp for 1 1/2" Valve	1	15,67
	R272028	Clamp for 2" valve	1	21,50
7	R281008	O-Ring for 19" & 24" filter	1	11,34
	R250001	O-Ring for 30" filter	1	6,41
8	REVOGAUGE	Manometer - Pressure Gauge (bottom connection)	1	20,15
9**	RE272026ND	Valve 1 1/2" 6-Way (for 19" & 24")	1	138,00
	RE272029ND	Valve 2" 6-Way (for 30")	1	238,00



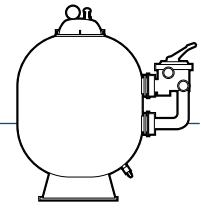
\*19" &amp; 24" filter requires 6 pieces / 30" filter requires 8 pieces

\*\*see valve sheet for valve spare parts

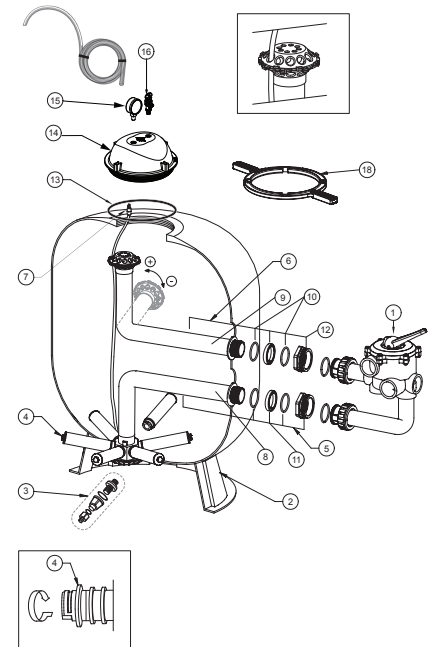
# TRITON® NEO

TOP MOUNT AND SIDE MOUNT

## REPLACEMENT PARTS SIDE MOUNT



No	Part No.	Description	Part No. Includes	List prices <sup>(1)</sup> € HT
1**	RE261070ND	Valve 1 1/2" 6-Way (for 19" & 24")	1	167,00
	RE261071ND	Valve 2" 6-Way (for 30" & 36")	1	242,00
2	RBASEUNI1	Base (19" & 24")	1	18,42
	RBASEUNI2	Base (30" & 36")	1	37,77
3	R154696	Drain Kit High Flow	1	15,10
4	R301904	Lateral 19"	1*	6,51
	R302404	Lateral 24"	1*	6,51
	R303004	Lateral 30"	1*	7,56
	R303604	Lateral 36"	1*	15,33
	R301904CP	Lateral Clear Pro 19"	1*	6,51
	R302404CP	Lateral Clear Pro 24"	1*	6,51
	R303004CP	Lateral Clear Pro 30"	1*	50,35
	R303604CP	Lateral Clear Pro 36"	1*	62,95
5	G-30-1905	Bottom Diffuser System 19" (incl.7,8,10,11,12)	1	176,00
	G-30-2405	Bottom Diffuser System 24" (incl.7,8,10,11,12)	1	182,00
	G-30-3005	Bottom Diffuser System 30" (incl.7,8,10,11,12)	1	247,00
	G-30-3605	Bottom Diffuser System 36" (incl.7,8,10,11,12)	1	289,00
	G-30-1905CP	Bottom Diff. Sys.19" Clear Pro (incl.7,8,10,11,12)	1	176,00
	G-30-2405CP	Bottom Diff. Sys.24" Clear Pro (incl.7,8,10,11,12)	1	182,00
	G-30-3005CP	Bottom Diff. Sys.30" Clear Pro (incl.7,8,10,11,12)	1	247,00
	G-30-3605CP	Bottom Diff. Sys.36" Clear Pro (incl.7,8,10,11,12)	1	289,00
6	G-30-1906	Top Diffuser System 19" (incl.9,10,11,12)	1	136,00
	G-30-2406	Top Diffuser System 24" (incl.9,10,11,12)	1	140,00
	G-30-3006	Top Diffuser System 30" (incl.9,10,11,12)	1	141,00
	G-30-3606	Top Diffuser System 36" (incl.9,10,11,12)	1	156,00
7	RTTAIR	Air Relief Strainer	1	0,58
8	G-30-1908	Bottom Pipe and Hub Set 19"	1	110,00
	G-30-2408	Bottom Pipe and Hub Set 24"	1	109,00
	G-30-3008	Bottom Pipe and Hub Set 30"	1	115,00
	G-30-3608	Bottom Pipe and Hub Set 36"	1	156,00
	G-30-1908CP	Bottom Pipe and Hub Set 19" Clear Pro	1	110,00
	G-30-2408CP	Bottom Pipe and Hub Set 24" Clear Pro	1	110,00
	G-30-3008CP	Bottom Pipe and Hub Set 30" Clear Pro	1	115,00
	G-30-3608CP	Bottom Pipe and Hub Set 36" Clear Pro	1	156,00
9	G-30-1909	Top Pipe and Diffuser Set 19"	1	84,68
	G-30-2409	Top Pipe and Diffuser Set 24"	1	91,56
	G-30-3009	Top Pipe and Diffuser Set 30"	1	115,00
	G-30-3609	Top Pipe and Diffuser Set 36"	1	156,00
10	R154492	O-Ring	2	5,61 x 2
11	REVOADR1	EXTERNAL ADJUSTING RING - NEO 1	2	24,04 x 2
	REVOADR2	EXTERNAL ADJUSTING RING - NEO 2	2	24,04 x 2
12	RTTBHD	Bulkhead	2	30,90 x 2
13	R152501W	O-Ring	1	9,62
14	RNEODOME	NEO 8 1/2" Closure Dome	1	55,00
15	REVOGAUGE	Manometer - Pressure Gauge (Bottom Connection)	1	20,15
16	RNEOAIR4	NEO Manual Plastic Air Bleed Valve	1	6,00
18	R154513	Wrench for 8 1/2" Closure Dome	1	18,89
	RNEODOMEKIT	NEO Closure Kit (incl.13, 14, 15 & 16)		125,00



\*19" & 24" filter requires 6 pieces  
 30" filter requires 8 pieces

\*\*see valve sheet for valve spare parts

**TRITON® NEO**  
TOP MOUNT AND SIDE MOUNT



◆ Top Standard



◆ Side Standard  
◆ Top ClearPro



◆ Side ClearPro  
◆ Provalve



**MARKETING AND DISTRIBUTION DETAILS**

**DISTRIBUTION CHANNEL:**

This new product will be distributed mandatory through the following channels:

- ◆ PIP MEMBERS (professional poolbuilders, Brick & Mortar retailers, service companies)
- ◆ **No internet sales**

**EXCLUSIVITIES:**

This product will be sold to members of Pentair Partners Incentive (PIP) program within Europe.

**SAMPLES:**

Cut away demo units are available for purchase with the below part number:

Part Numbers	Description
F-19S8-NEOCPC	19" W/ CLEARPRO LATERALS

**MARKETING COLLATERALS:**

The following new product-related documents are on the corresponding product page of the [www.pentairpooleurope.com](http://www.pentairpooleurope.com) website. [Manual // Brochure // Spare Parts list] as well as on the PIP Scanner App. Scan PIP code to access product literature and spare parts list.



**For more information for questions please contact**

PRODUCT SPECIFICATIONS	TECHNICAL INFORMATION AND TRAINING	MARKETING COLLATERALS
------------------------	------------------------------------	-----------------------

[techsupport.poolemea@pentair.com](mailto:techsupport.poolemea@pentair.com)

[techsupport.poolemea@pentair.com](mailto:techsupport.poolemea@pentair.com)

[marketing.poolemea@pentair.com](mailto:marketing.poolemea@pentair.com)